

# GIANT

**TOBROCO** team

Industrielaan 2, 5061 KC Oisterwijk

Tel.: +31 (0)13-5211212

Fax: +31 (0)13-5234045

Internet: [www.tobroco.com](http://www.tobroco.com)

E-Mail: [info@tobroco.com](mailto:info@tobroco.com)

**SK 211 G**

**SK 201 D**

**SK 251 D**



## The new **SKIDSTEER**

A small, handy, compact machine



**SK 211 G - SK 201 D - SK 251 D**

# THE NEW GIANT SKIDSTEER

3 new, powerful, flexible, unique and compact machines with a machine width of 930 mm. As with our GIANT machines, the new GIANT SKIDSTEER machines also incorporate premium, high-quality components from well known brands, such as: Kubota, Parker, Honda and Hydac.

## MULTIPLE OPTIONS

GIANT offers a wide range of optional features. Ask your GIANT dealer about them or visit [www.tobroco.com](http://www.tobroco.com)

## PERFORMANCE

Feature for fitting a twin gear pump for faster drive speed and greater oil delivery. Ask your GIANT dealer about the optional features.

## COMPACT RAPID CHANGE SYSTEM



TYPE OF TYRE	SIZE	TOTAL WIDTH
AS	23x8.5-12	920 mm
SKID (Standard)	23x8.5-12	930 mm
GRASS	23x8.5-12	930 mm
AS	23x10.5-12	1070 mm
GRASS	23x10.5-12	1070 mm
All-Ground	22x11-8	1090 mm

## STABLE

You can optional choose to assemble a short or wider wheel base. The choice depends on your situation. Find out about the options at [www.tobroco.com](http://www.tobroco.com).

- 1 Short wheelbase = Compact, manoeuvrable
- 2 Longer wheelbase = Stable, lifting force.

## TYRES

We have chosen to use a low-maintenance drive mechanism for 4 wheel motors. This also provides a large amount of tractive force.

# REASONS FOR PURCHASING A GIANT SKIDSTEER

- ✓ HEIGHT-ADJUSTABLE AND SPRING-MOUNTED DRIVER'S PLATFORM
- ✓ ROBUST STEEL CONSTRUCTION
- ✓ EXTREMELY HIGH TRACTIVE FORCE
- ✓ HIGH TIPPING LOAD
- ✓ AVAILABLE IN A NUMBER OF (DIESEL / PETROL) VARIANTS
- ✓ FITTED WITH 4 POWERFUL HYDR. WHEEL MOTORS
- ✓ ADJUSTABLE WHEELBASE
- ✓ HIGH GROUND CLEARANCE
- ✓ LARGE TYRES, UP TO 12 INCH, CAN BE FITTED
- ✓ HIGH OIL FLOW
- ✓ COMBINED OIL AND WATER COOLER
- ✓ FENDER-INTEGRATED COUNTERWEIGHTS
- ✓ ENGINE MOUNTED ON LOW-VIBRATION RUBBER-METAL BLOCKS
- ✓ LARGE GRAB AND DUMP ANGLE
- ✓ HARDENED BEARINGS IN LIFTING ARM
- ✓ FITTED WITH MECHANICAL RAPID CHANGE SYSTEM AS STANDARD



\*Dimensions measured on standard tyres, without attachment and with pedestal folded up.

## TECHNICAL DATA

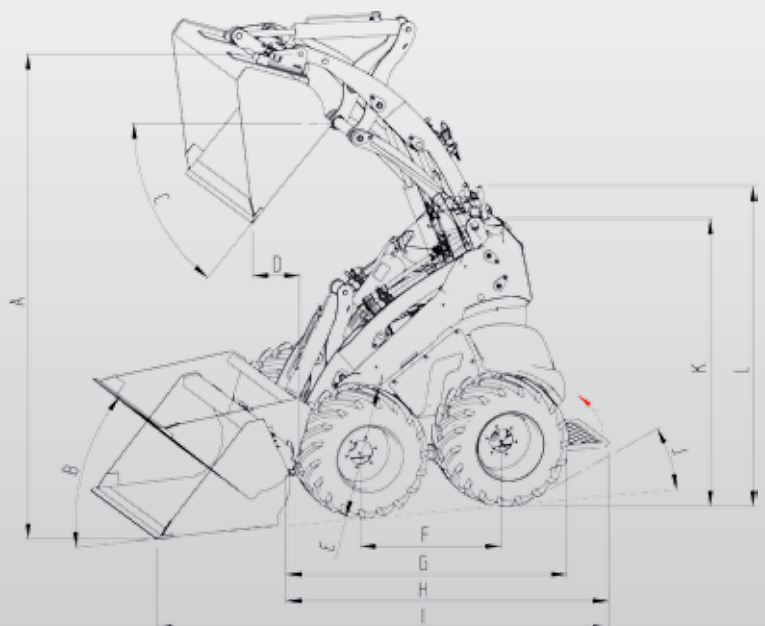
	SK 211 G	SK 201 D	SK 251 D
Engine	2-cylinder Honda GX630 petrol motor 21 hp	3-cylinder Kubota D722 20 hp	3-cylinder Kubota D902 25 hp
Drive mechanism	4 x Parker hydraulic motor	4 x Parker hydraulic motor	4 x Parker hydraulic motor
Drivingspeed	7 km/h Option: 10 km/h	8 km/h Option: 11 km/h	8 km/h Option: 11 km/h
Work hydraulics	22 L/min	33 L/min	33 L/min
Weight	750 kg	795 kg	810 kg
Diesel / Oil capacity	21 L / 42 L	21 L / 42 L	21 L / 42 L
Attachment bracket	GIANT COMPACT Mechanical (Option: Hydraulic)	GIANT COMPACT Mechanical (Option: Hydraulic)	GIANT COMPACT Mechanical (Option: Hydraulic)
Standard tyres	23x8.5-12 SKID	23x8.5-12 SKID	23x8.5-12 SKID

	SK 211 G	SK 201 D	SK 251 D
A	2100	2100	2100
B	41°	41°	41°
C	39°	39°	39°
D	321	321	321
E	max. ø590	max. ø590	max. ø590
F	735 (option 660)	735 (option 660)	735 (option 660)
G	1371	1371	1371
H	1580	1580	1580
I	2200	2200	2200
J	20°	20°	20°
K	1243	1243	1243
L	1362	1362	1362

Measures in mm, measured on standard tyres.

Note: All measures are measured with a GIANT quick change system. In case of a different hitch, other values may apply. TOBROCO Machines can not be taken responsible for the possible consequences.

Visit [www.tobroco.com](http://www.tobroco.com) to view recent tipping loads



**MORE INFO? VISIT:  
WWW.TOBROCO.COM**

Details subject to change.



**WWW.GIANT-ATTACHMENTS.COM**



**WWW.TOBROCO.COM**



**TOBROCO**

Industrielaan 2  
5061 KC Oisterwijk (NL)  
Tel.: +31 (0)13-5211212  
Fax: +31 (0)13-5234045  
Internet: [www.tobroco.com](http://www.tobroco.com)  
E-mail: [info@tobroco.com](mailto:info@tobroco.com)

**Дистрибьютор в России: КЛЖ, ООО / KLG limited.**  
**Офис, Склад, Сервис: 142771, г. Москва,**  
**пос. Мосрентген, ПП "Автострой"**  
**Телефон/Факс: +7 (495) 663 7135**  
**Эл.Почта: [info@kniklader.ru](mailto:info@kniklader.ru) WEB: [mprogruzchiki.ru](http://mprogruzchiki.ru)**  
**Для оперативной связи (GSM): +7 (495) 211 9483**

All technical data in this brochure refer to series models that have been tested under operating conditions typical of Central Europe and describe their standard functions. Specifications and their modes of functionality as well as accessories listed in this brochure depend on the individual model and on the options available with a particular product as well as the statutory requirements of the country of sale. Illustrations used in this brochure may show products that have not been mentioned or that are not available as series production machines. The descriptions, illustrations, weights and technical data published herein are non-binding in nature and represent the technical status at the time the document went to press. Because of ongoing development, we reserve the right to make changes, without prior notice, to the design, specification, visual appearance and technology of our products. Should you require special functions that would be available only by using additional components and/or under special circumstances, please feel free to contact us. We will be happy to answer any questions you may have and to provide further information regarding whether and under what conditions applying to the product and the target environment such special functions might be feasible. If you have any concerns about the load capacity or operation of our products in certain working conditions or environments, we recommend that you perform a test run under controlled conditions. Despite meticulous attention to detail, we cannot exclude the possibility that our products may not conform to illustrations or stated dimensions, or that errors may have occurred in calculation or during printing, or that the information given here may be incomplete. Consequently, we do not accept liability for the accuracy or completeness of the information supplied in this brochure. All matters relating to our product warranty are contained within our General Terms and Conditions. We expressly decline to provide additional guarantees. Any liability over and above that contained within our General Terms and Conditions is excluded.